



Vibration Isolation Products

Compression / Shear Mountings

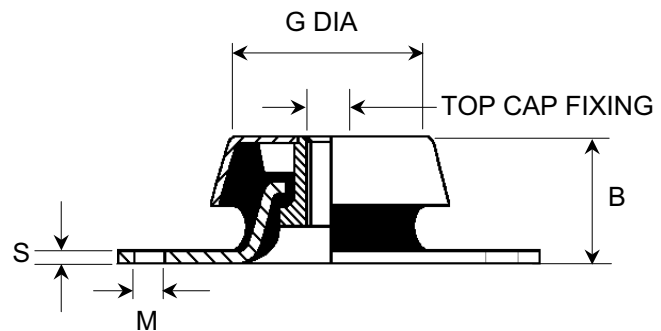
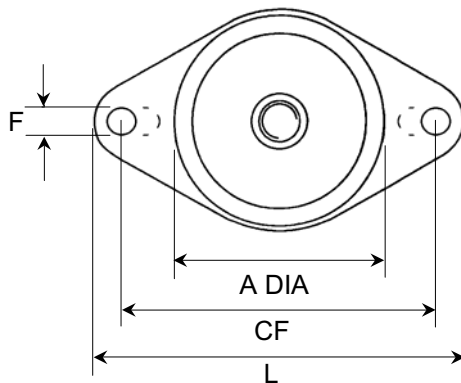


Flanged compression / shear mountings are suitable for all types of applications, especially in a mobile situation where a fail safe mounting is essential. The extensive load range of compression / shear mountings can be used to reduce machine noise through to vibration control and provide excellent protection from the effects of harmful shock and vibrations.

The compact low profile of the compression / shear mountings ensures ease of installation. Compression / shear mountings incorporate a three way control of suspended equipment with comparatively large static deflections. movements under shock loading are limited through the internal fail-safe device.

Applications Include:

Static and mobile generator sets, Emergency power packs, Prime power units, Pumps, Marine engines and gearboxes, Cabs (not ROPS/FOPS)



PART No	CFE	CCF		CF	F*(M)	A	B	G	L	S
6335		M12		75-90	8.3*16	60	35	38	106	2.0
6231	M12	M12		75-90	8.3*16	60	31	50	106	3.0
7730		M10		110	9.0	77	30	59	128	2.0
9245		M12		110	10.5	92	45	73.5	128	3.0
9335		M10		124	10.0	93	35	70	144	2.5
10638		M16		138-46	14*18	106	38	81	172	3.0
10642		M16		138-46	14*18	106	41	81	172	3.0
10850/5		M16		160	16.5	108	50	83	190	5.0
10850/6		M16		150	16.5	108	50	83	180	6.0
12142		M16		158	13.5	121	42	92	188	3.0
14448		M16		179-86	14*18	144	48	121	216	4.0
180		M20	SQUARE BASE FLANGE	149-163	14.5*25	180	66	140	192*192	4

© Vibration Isolation Products Ltd 2007

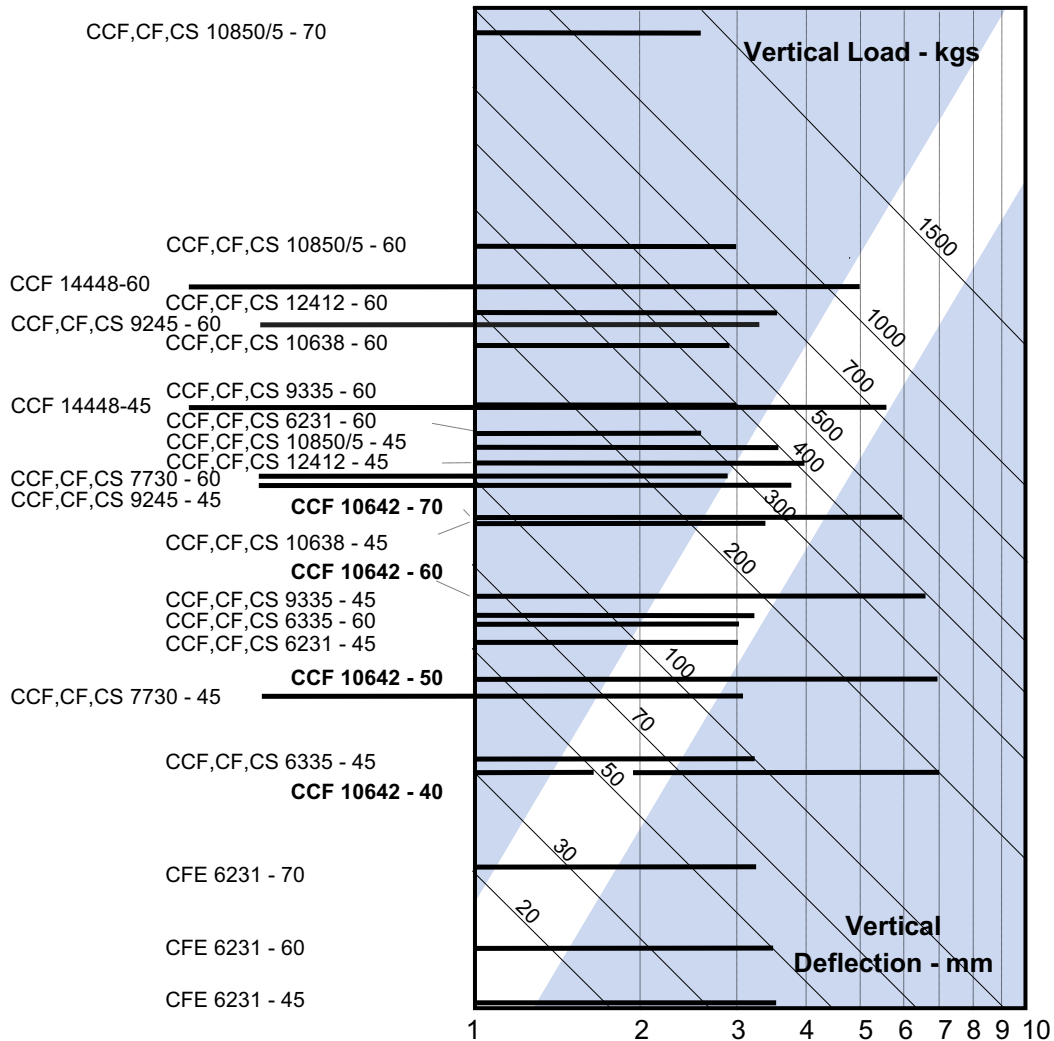
Vibration Isolation Products Ltd,
51 Nursery Road, Leicester,
LE5 2HQ, ENGLAND.

Tel: +44 (0)116 241 8604
Fax: +44 (0)116 243 3396
sales@vibrationisolationproducts.co.uk



Compression / Shear Mountings

LOAD / DEFLECTION CHART

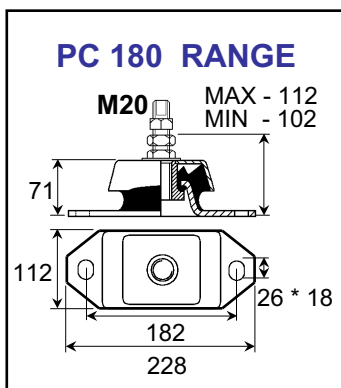
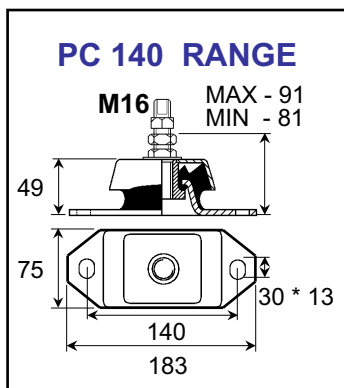
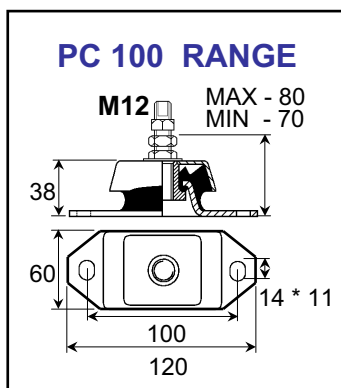
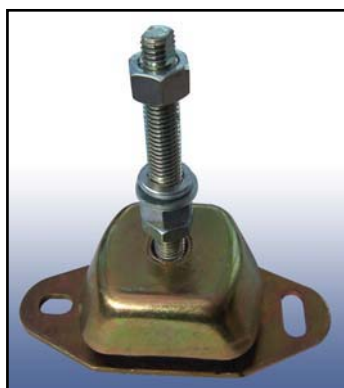


PART No	45 IRHD		60 IRHD		70 IRHD	
	MAX-kgs	MAX-mm	MAX-kgs	MAX-mm	MAX-kgs	MAX-mm
6335	96	3.2	170	3.0		
6231 - CFE	40	3.6	50	3.5	65	3.3
6231 - CCF	160	3.0	300	2.7		
7730	120	3.1	280	2.9		
9245	350	3.8	600	3.3	750	3.0
9335	175	3.1	400	3.0		
10638	275	3.3	500	2.9		
10642	40-200kgs/7mm 50-300kgs/7mm 60-400kgs/6.6mm 70-500kgs/6mm					
10850/5	400	3.3	830	3.0	1400	2.6
12142	425	4.0	690	3.5		
14448	750	5.5	1100	5.0		
180	1500	9.0	2300	8.0	3200	6.4
Not shown on load / deflection chart						

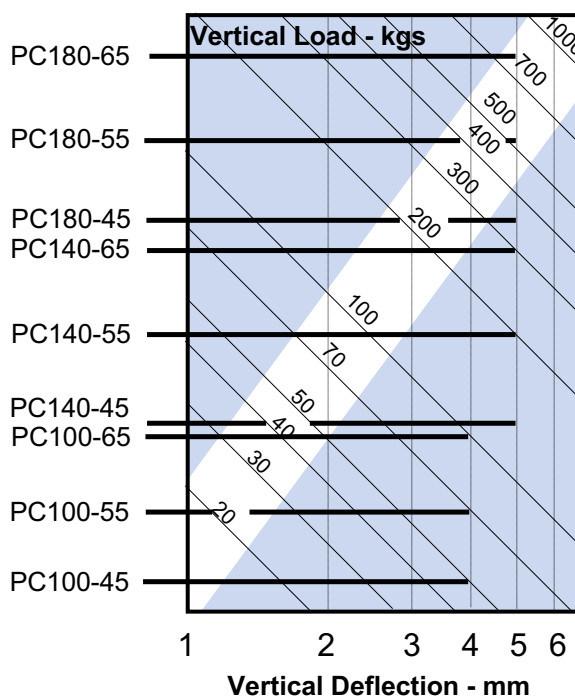


Vibration Isolation Products

Compression / Shear Mountings



LOAD / DEFLECTION CHART



(HEIGHT ADJUSTMENT STUDS AND NUTS SUPPLIED SEPERATELY)

PART No	RUBBER MIX	MAX VERT LOAD - kgs	MAX VERT DEF - mm	TOP FIXING		
				THREAD	MIN HT	MAX HT
PC100	45	50	4	M12	70	80
PC100	55	70	4	M12	70	80
PC100	65	100	4	M12	70	80
PC140	45	135	5	M16	81	91
PC140	55	200	5	M16	81	91
PC140	65	300	5	M16	81	91
PC180	45	355	5	M20	102	112
PC180	55	530	5	M20	102	112
PC180	65	800	5	M20	102	112

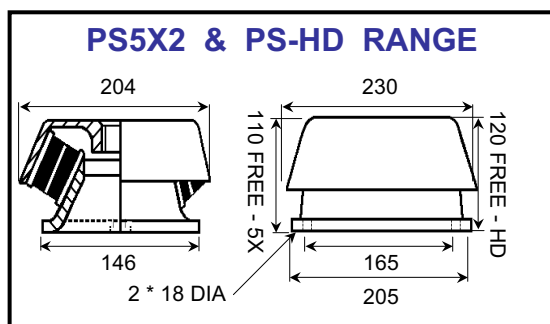
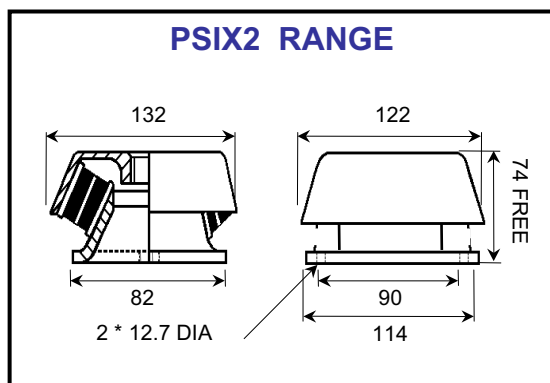
© Vibration Isolation Products Ltd 2007

Vibration Isolation Products Ltd,
51 Nursery Road, Leicester,
LE5 2HQ, ENGLAND.

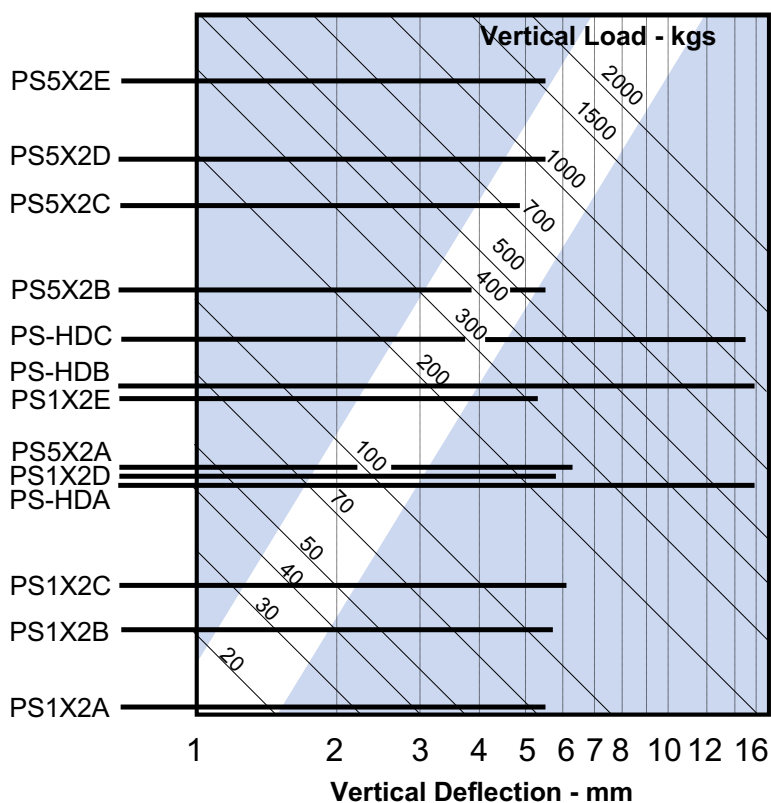
Tel: +44 (0)116 241 8604
Fax: +44 (0)116 243 3396
sales@vibrationisolationproducts.co.uk



Compression / Shear Mountings



LOAD / DEFLECTION CHART



PART No	COLOUR CODE	RUBBER MIX	MAX VERT LOAD - kgs	MAX VERT DEF - mm	TOP FIXING	
					PLAIN - mm	TAPPED
PS1X2A	BLUE	45	77	5.6	10	M12
PS1X2B	WHITE	55	118	5.8	10	M12
PS1X2C	GREEN	65	153	6.1	10	M12
PS1X2D	YELLOW	70	235	5.8	10	M12
PS1X2E	RED	75	317	5.3	10	M12
PS5X2A	BLUE	45	272	6.3	13	M16
PS5X2B	WHITE	55	544	5.6	13	M16
PS5X2C	GREEN	65	850	5.6	13	M16
PS5X2D	YELLOW	70	1040	5.6	13	M16
PS5X2E	RED	75	1580	5.6	13	M16
PS - 1HDA	BLUE	45	630	16	13	M16
PS - 1HDB	WHITE	55	990	16	13	M16
PS - 1HDC	GREEN	65	1280	16	13	M16